

DuraCraft & Craftsman Columns

The Professionals Choice



RESINART EAST INC.

1(800) 497-4376



DURACRAFT COLUMNS



- No priming necessary for painting
- Quick and easy to install
- High Load Bearing
- Tapered in the Greek tradition
- Will not rot, bow or crack
- Maintenance free



For almost 15 years homeowners, contractors and architects have used our Columns to create elegant entryways, distinctive archways and inviting porches. Our Customers rely on us because they know that each Column and Capital is a product of thoughtful design and fine Craftmanship. Our Columns are high load bearing and centrifugally cast using Fiberglass reinforced Polyester Resin.



Non Tapered Smooth

	Diameter	Lengths Available
6"	5½"	8'
8"	7¾"	8', 9', 10'
10"	9¾"	8', 9', 10', 11', 12'
12"	11¾"	8', 9', 10', 11', 12'

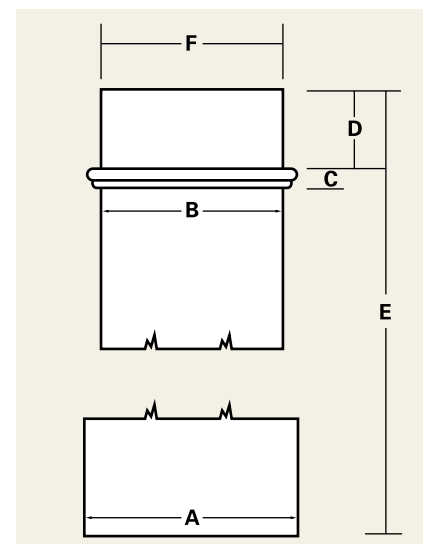
Load Limits Tapered and NonTapered

6"	4,000 lbs.	Load bearing capacity is dependent on the concentric loading of the columns. It is the users responsibility to ensure proper application and use of data, relating to design, dead and live load, wind, snow, seismic loads and all other safety factors.
8"	8,000 lbs.	
10"	10,000 lbs.	
12"	12,000 lbs.	
14"	14,000 lbs.	

Round Tapered Columns Smooth and Fluted

	COLUMN SIZE	A	B	C	D	E	F	G
R-COLUM-S-6 x 8	6" x 8'	5½"	4½"	7/8"	4½"	96"	4½"	33"
R-COLUM-S-8 x 8	8" x 8'	7¾"	6¼"	1"	47/8"	96"	6¼"	33"
R-COLUM-S-8 x 9	8" x 9'	7¾"	6¼"	1"	47/8"	108"	6¼"	30"
R-COLUM-S-8 x 10	8" x 10'	7¾"	6¼"	1"	47/8"	120"	6¼"	42"
R-COLUM-S-10 x 8	10" x 8'	9¾"	8"	1"	5½"	96"	8"	33"
R-COLUM-S-10 x 9	10" x 9'	9"	8"	1"	5½"	108"	8"	30"
R-COLUM-S-10 x 10	10" x 10'	9¾"	8"	1"	5½"	120"	8"	42"
R-COLUM-S-10 x 12	10" x 12'	9¾"	8"	1"	5½"	144"	8"	48"
R-COLUM-S-12 x 8	12" x 8'	11¾"	10"	1"	6"	96"	10"	33"
R-COLUM-S-12 x 9	12" x 9'	11¾"	10"	1"	6"	108"	10"	30"
R-COLUM-S-12 x 10	12" x 10'	11¾"	10"	1"	6"	120"	10"	42"
R-COLUM-S-12 x 12	12" x 12'	11¾"	10"	1"	6"	144"	10"	48"
R-COLUM-S-14 x 8	14" x 8'	13¾"	12"	1"	6½"	96"	12"	33"
R-COLUM-S-14 x 9	14" x 9'	13¾"	12"	1"	6½"	108"	12"	30"
R-COLUM-S-14 x 10	14" x 10'	13¾"	12"	1"	6½"	120"	12"	42"
R-COLUM-S-14 x 12	14" x 12'	13¾"	12"	1"	6½"	144"	12"	48"

For 8" Fluted Column: Flutes start 8" up from bottom and 2" down from C Ring
 For 10" Fluted Column: Flutes start 10" up from bottom and 2" down from C Ring
 For 12" Fluted Column: Flutes start 10" up from bottom and 2" down from C Ring



G taper starts at bottom

Visit our website at www.resinart.com

CAPITALS

Classic Ornamental Capitals

These beautifully detailed capitals have proudly crowned columns for centuries. Each capital is carefully crafted and shaped into proportions suitable for various styles and sizes of columns. These capitals are made from a durable, waterproof, insect-proof and virtually maintenance free polymer.

Roman Corinthian



	Size	Base	Height	Top
R-CAPIT-C-6"	6"	4 ³ / ₄ "	7 ¹ / ₄ "	9 ¹ / ₂ "
R-CAPIT-C-8"	8"	6 ¹ / ₂ "	9 ¹ / ₄ "	11 ¹ / ₂ "
R-CAPIT-C-10"	10"	8 ¹ / ₈ "	10 ⁷ / ₈ "	14"
R-CAPIT-C-12"	12"	10 ¹ / ₄ "	13 ⁵ / ₈ "	19 ³ / ₄ "
R-CAPIT-C-16"	16"	12 ⁵ / ₈ "	17 ³ / ₈ "	35 ¹ / ₄ "
R-CAPIT-C-18"	18"	15 ¹ / ₂ "	21"	38 ³ / ₄ "

Modern Composite



	Size	Base	Height	Top
R-CAPIT-M-6"	6"	4 ³ / ₄ "	6 ³ / ₄ "	9 ³ / ₄ "
R-CAPIT-M-8"	8"	6"	10 ¹ / ₄ "	14 ¹ / ₂ "
R-CAPIT-M-10"	10"	8 ¹ / ₄ "	11 ³ / ₄ "	14 ⁵ / ₈ "
R-CAPIT-M-12"	12"	10 ¹ / ₄ "	12 ¹ / ₈ "	17 ¹ / ₈ "
R-CAPIT-M-16"	16"	12 ⁵ / ₈ "	18"	33 ³ / ₄ "
R-CAPIT-M-18"	18"	14 ³ / ₄ "	20"	39"

Greek Erectheum



	Size	Base	Height	Top
R-CAPIT-G-6"	6"	4 ⁷ / ₈ "	3 ³ / ₈ "	6 ¹ / ₂ "
R-CAPIT-G-8"	8"	6 ³ / ₈ "	3 ¹ / ₂ "	7 ¹ / ₄ "
R-CAPIT-G-10"	10"	8 ¹ / ₈ "	4 ⁷ / ₈ "	10"
R-CAPIT-G-12"	12"	10 ¹ / ₄ "	5 ¹ / ₂ "	12 ¹ / ₄ "

Temple of the Winds



	Size	Base	Height	Top
R-CAPIT-T-6"	6"	5"	7 ¹ / ₄ "	8"
R-CAPIT-T-8"	8"	6 ³ / ₈ "	7 ³ / ₄ "	10 ⁵ / ₈ "
R-CAPIT-T-10"	10"	8 ¹ / ₈ "	9 ³ / ₄ "	13 ¹ / ₂ "
R-CAPIT-T-12"	12"	10 ¹ / ₄ "	11 ³ / ₈ "	16 ⁵ / ₈ "
R-CAPIT-T-16"	16"	13 ⁵ / ₈ "	15 ¹ / ₂ "	22 ⁷ / ₈ "
R-CAPIT-T-18"	18"	15 ¹ / ₄ "	18 ³ / ₈ "	25 ³ / ₄ "

Scamozzi



	Size	Base	Height	Top
R-CAPIT-S-6"	6"	4"	3 ³ / ₈ "	7 ⁷ / ₈ "
R-CAPIT-S-8"	8"	6 ¹ / ₄ "	2 ⁷ / ₈ "	9 ¹ / ₂ "
R-CAPIT-S-10"	10"	8 ¹ / ₄ "	3 ¹ / ₂ "	13"
R-CAPIT-S-11"	11"	9"	5 ³ / ₄ "	18 ³ / ₄ "
R-CAPIT-S-12"	12"	10 ¹ / ₈ "	4 ⁷ / ₈ "	16 ¹ / ₂ "
R-CAPIT-S-14"	14"	12 ¹ / ₈ "	7 ¹ / ₂ "	23 ³ / ₄ "
R-CAPIT-S-16"	16"	14 ¹ / ₂ "	9"	28 ³ / ₄ "
R-CAPIT-S-18"	18"	15 ³ / ₄ "	10 ⁵ / ₈ "	31 ⁷ / ₈ "
R-CAPIT-S-20"	20"	20"	12"	37 ³ / ₄ "

Roman Ionic



	Size	Base	Height	Top
R-CAPIT-I-6"	6"	4 ³ / ₈ "	7 ¹ / ₄ "	6"
R-CAPIT-I-8"	8"	6 ¹ / ₈ "	7 ³ / ₄ "	7 ¹ / ₂ "
R-CAPIT-I-10"	10"	8 ¹ / ₈ "	9 ³ / ₄ "	10"
R-CAPIT-I-12"	12"	10 ¹ / ₈ "	11 ³ / ₈ "	12 ³ / ₄ "
R-CAPIT-I-16"	16"	13 ⁵ / ₈ "	15 ¹ / ₂ "	16 ³ / ₄ "
R-CAPIT-I-18"	18"	15 ¹ / ₂ "	18 ³ / ₈ "	19 ³ / ₄ "

Tuscan Cap



(Tapered)	Size	Square OD	Height	Hole
T-TUSCN-S-6CAP	6"	7 ³ / ₈ "	2 ³ / ₄ "	4 ¹ / ₄ "
T-TUSCN-S-8CAP	8"	9 ⁵ / ₈ "	2 ³ / ₄ "	6 ¹ / ₂ "
T-TUSCN-S-10CAP	10"	11 ¹ / ₄ "	3 ¹ / ₂ "	8 ¹ / ₄ "
T-TUSCN-S-12CAP	12"	14 ¹ / ₄ "	4"	10 ¹ / ₄ "
T-TUSCN-S-14CAP	14"	16 ¹ / ₂ "	4 ¹ / ₈ "	11 ⁷ / ₈ "

Tuscan Base



	Size	Square OD	Height	Hole
R-TUSCN-S-6BAS	6"	7 ³ / ₄ "	3 ¹ / ₂ "	5 ³ / ₄ "
R-TUSCN-S-8BAS	8"	10 ³ / ₄ "	4 ¹ / ₄ "	8"
R-TUSCN-S-10BAS	10"	13 ¹ / ₄ "	5 ¹ / ₄ "	10"
R-TUSCN-S-12BAS	12"	16 ¹ / ₂ "	6"	12"
R-TUSCN-S-14BAS	14"	19 ¹ / ₂ "	6 ⁵ / ₈ "	13 ⁷ / ₈ "

(Non tapered)	Size	Square OD	Height	Hole
T-TUSCN-S-6CAP	6"	7 ³ / ₄ "	2 ³ / ₄ "	5 ³ / ₄ "
T-TUSCN-S-8CAP	8"	10 ³ / ₄ "	2 ³ / ₄ "	8"
T-TUSCN-S-10CAP	10"	13 ¹ / ₄ "	3 ¹ / ₂ "	10"
T-TUSCN-S-12CAP	12"	16 ¹ / ₂ "	4"	12"

Square Cap



	Size	Square OD	Height	Hole
R-SQCAP-6CAP	6"	8"	2"	5 ³ / ₄ "
R-SQCAP-8CAP	8"	10"	2 ¹ / ₄ "	7 ³ / ₄ "
R-SQCAP-10CAP	10"	12"	2 ¹ / ₂ "	9 ³ / ₄ "
R-SQCAP-12CAP	12"	14"	3"	11 ³ / ₄ "

Attic Base



	Size	Square OD	Height	Hole
U-FCAB-S-6BAS	6"	7 ³ / ₄ "	3 ¹ / ₂ "	5 ³ / ₈ "
U-FCAB-S-8BAS	8"	10 ¹ / ₄ "	6"	7 ³ / ₄ "
U-FCAB-S-10BAS	10"	13"	6"	9 ⁵ / ₈ "
U-FCAB-S-12BAS	12"	15 ⁵ / ₈ "	7"	11 ³ / ₄ "

Square Base



	Size	Square OD	Height	Hole
R-SQBAS-6BAS	6"	8"	3"	5 ³ / ₄ "
R-SQBAS-8BAS	8"	10"	3 ¹ / ₂ "	7 ³ / ₄ "
R-SQBAS-10BAS	10"	12"	4"	9 ³ / ₄ "
R-SQBAS-12BAS	12"	14"	4 ¹ / ₂ "	11 ³ / ₄ "

TURNED POSTS



ResinArt is pleased to offer a new synthetic porch post in the Colonial style. We combined the best in materials and technology to provide you with a post of exceptional beauty and low maintenance. Our new post is load bearing, easy to install and backed by a generous warranty. The 5-inch diameter (Actual 4 1/4") Colonial porch post is available in an 8 foot length; the 6-inch post (Actual 5 1/4") is available in 8, 9 and 10 foot lengths. Our post is composed of a synthetic shell which surrounds a galvanized steel pipe.

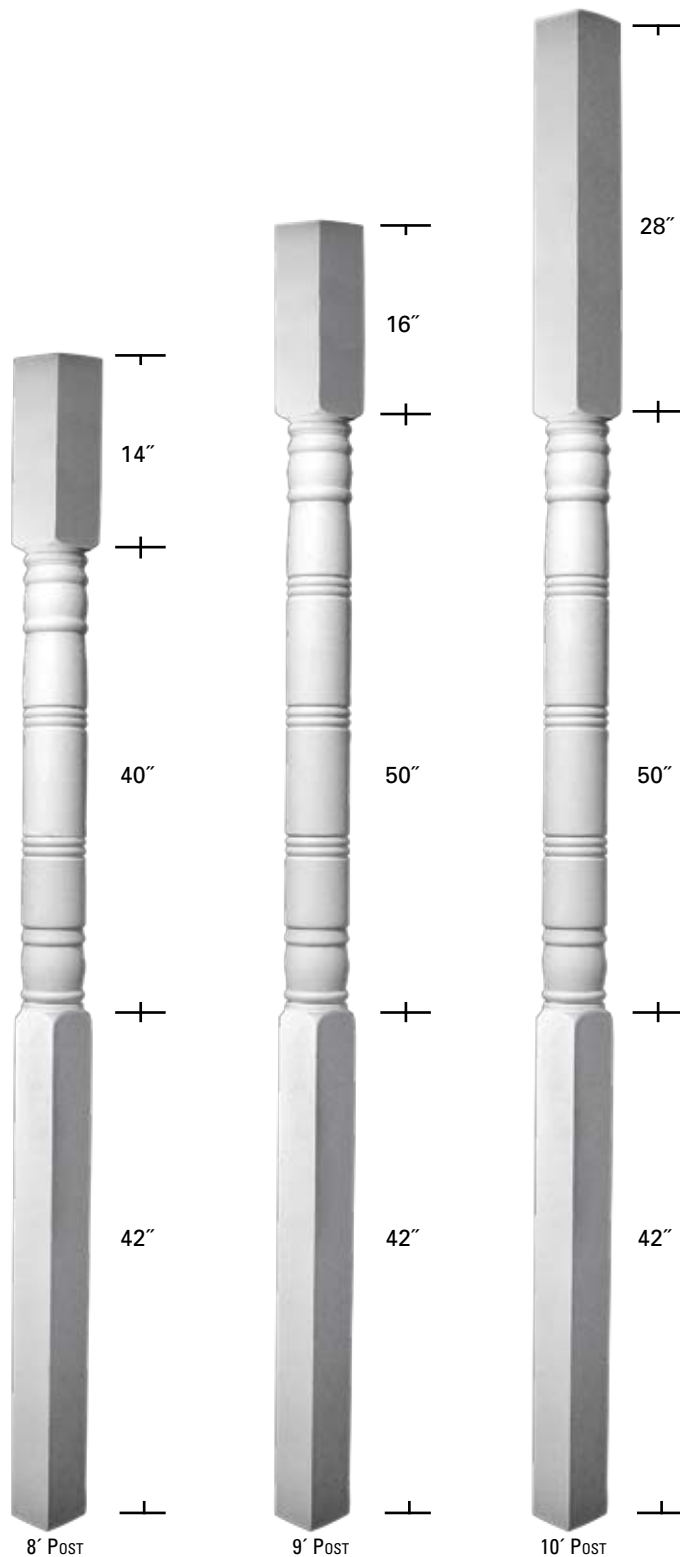
5" Turned Post 2,000 lbs.

6" Turned Post 5,000 lbs.

Maximum Load Bearing Specifications of Columns with Standard Cap.

Load bearing capacity is dependent on the concentric loading of the post. It is the user's responsibility to ensure proper application and use of data, relating to design, dead and live load, wind, snow, seismic loads and safety factors.

All measurements are approximations.



Visit our website at www.resinart.com

DURACRAFT SQUARE SPUN CAST COMPOSITE COLUMNS

Our square spuncast columns are made with the same high load bearing fiberglass reinforced polymer as our round columns.

- High Load Bearing
- Quick and easy to install
- Will not rot, bow or crack
- Maintenance free
- No priming necessary for painting

Classic Square Columns

COLUMN SIZE	ACTUAL WIDTH	CAP WIDTH	CAP HEIGHT	BASE WIDTH	BASE HEIGHT	TOTAL LENGTH	CHAMFER STARTS
6" sq.	5½"	8"	2¼,2½,3"	8"	3½,4,4½"	8,10'	15"
8" sq.	7½"	10"	2¼,2½,3"	10"	3½,4,4½"	8,10'	16"
10" sq.	9½"	12"	2¼,2½,3"	12"	3½,4,4½"	8,10,12'	17"
12" sq.	11½"	14"	2¼,2½,3"	14"	3½,4,4½"	8,10,12'	18"

Square columns available with or without chamfer

Maximum Load Bearing Specifications of Columns with Standard Cap.

6" Column 6,000 lbs.

8" Column 8,000 lbs.

10" Column 10,000 lbs.

12" Column 12,000 lbs.

Load bearing capacity is dependent on the concentric loading of the columns. It is the user's responsibility to ensure proper application and use of data, relating to design, dead and live load, wind, snow, seismic loads and safety factors.



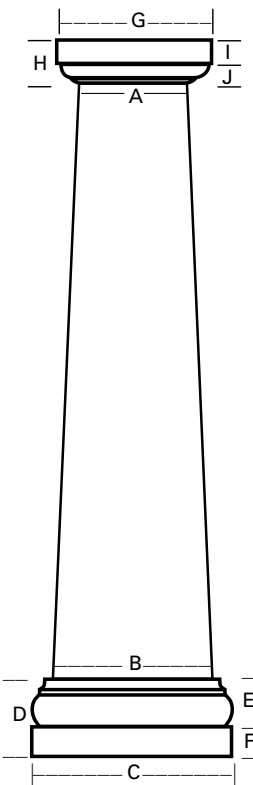


CRAFTSMAN COLUMNS

Shown with
Optional Cap
and Base

Introducing Our New Craftsman Column.

Aficionados of the Arts and Crafts movement or of the Craftsman bungalow will love our new column. Inspired by the designs of Gustav Stickley, our new Craftsmen Column with it's simple, straightforward lines will add a bit of early 20th century charm to your home. We build our new craftsmen column with the same materials and care as we use to build our original round column. Each Craftsman Column is load bearing and comes with a limited lifetime warranty.



Size	A	B	C	D	E	F	G	H	I	J
10" x 5½" x 66"	5⅝"	9⅝"	11⅜"	3¼"	2⅛"	1⅜"	7⅞"	2⅜"	1⅜"	1"
10" x 6" x 60"	5⅞"	9⅝"	11⅜"	3¼"	2"	1¼"	7⅞"	2⅝"	1⅝"	1"
12" x 10" x 72"	5⅝"	11⅜"	16⅜"	3⅜"	2"	1⅜"	7⅞"	2⅜"	1⅜"	1"
16" x 9" x 58"	9⅛"	16"	18¾"	3¼"	2"	1¼"	11¼"	2⅜"	1⅜"	1"
16" x 9" x 72"	9⅛"	16"	18¾"	3¼"	2"	1¼"	11¼"	2⅜"	1⅜"	1"

All measurements are approximations.

Craftsman Columns Maximum Load Bearing Specifications

Column Diameter	Concentric Load Limit
10 x 5½	6,000 lbs.
12 x 10	8,000 lbs.
16 x 9	10,000 lbs.

Load bearing capacity is dependent on evenly distributing the weight around the entire load bearing surface, or, in other words, concentric loading. It is the users responsibility to ensure proper application and use of data, relating to design, dead and live load, wind, snow, seismic loads and all other safety factors.



Visit our
website at
www.resinart.com



RESINART EAST INC.

WARRANTIES

ResinArt East, Inc. guarantees its DuraCraft Columns™ for the “lifetime” of ownership. Our warranty insures that DuraCraft Columns™ are not defective in material and/or workmanship. The “Lifetime Limited Warranty” is effective as long as the original purchaser owns the structure to which the column was originally and properly installed according to ResinArt’s column installation instructions.

ResinArt East, Inc. will be solely responsible for determining whether to repair or replace it’s products that have not met performance standards due to material and/or workmanship deficiencies. ResinArt East, Inc. “Limited Lifetime Warranty” will cover up to the original cost of the product in question.

ResinArt East, Inc. “Limited Lifetime Warranty” does not cover damages resulting from the replacement of a substandard product. The “Limited Lifetime Warranty” will be in effect so long as the customer uses ResinArt East, Inc. products in a manner consistent with design capacities of the item.



RESINART EAST, INC.
201 Old Airport Road • Fletcher, NC 28732
T:1(800) 497-4376 • F: (828) 687-0182
www.resinart.com

